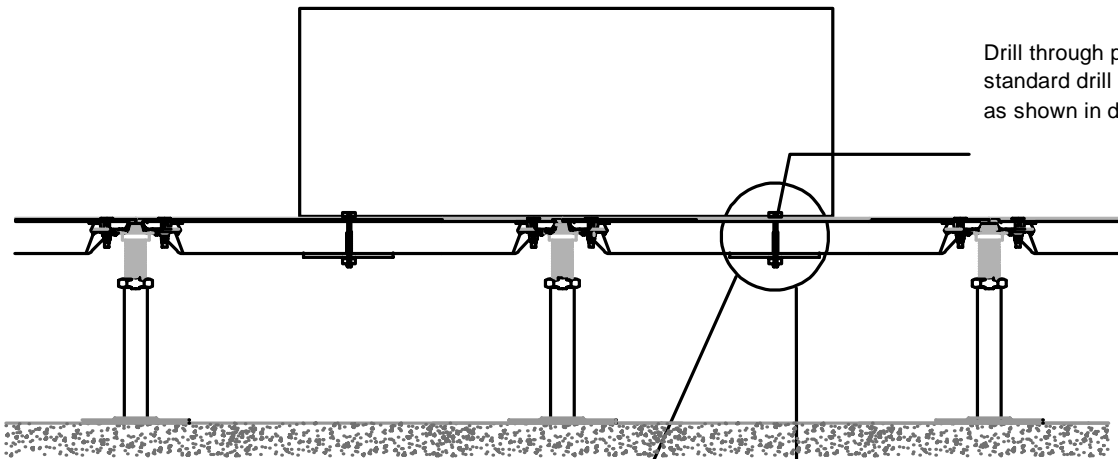


Mounting Equipment to Access Floor

Tate Access Floors, Inc.
7510 Montevideo Road
Jessup, MD 20794
Tel (410) 799-4200
Fax (410) 799-4207



Drill through panel with standard drill and attach as shown in detail



Anchor
Lock washer
Anchored equipment
Floor panel

Fender washer or 5" square steel plate to span edges of pockets

Lock washer
Nut

