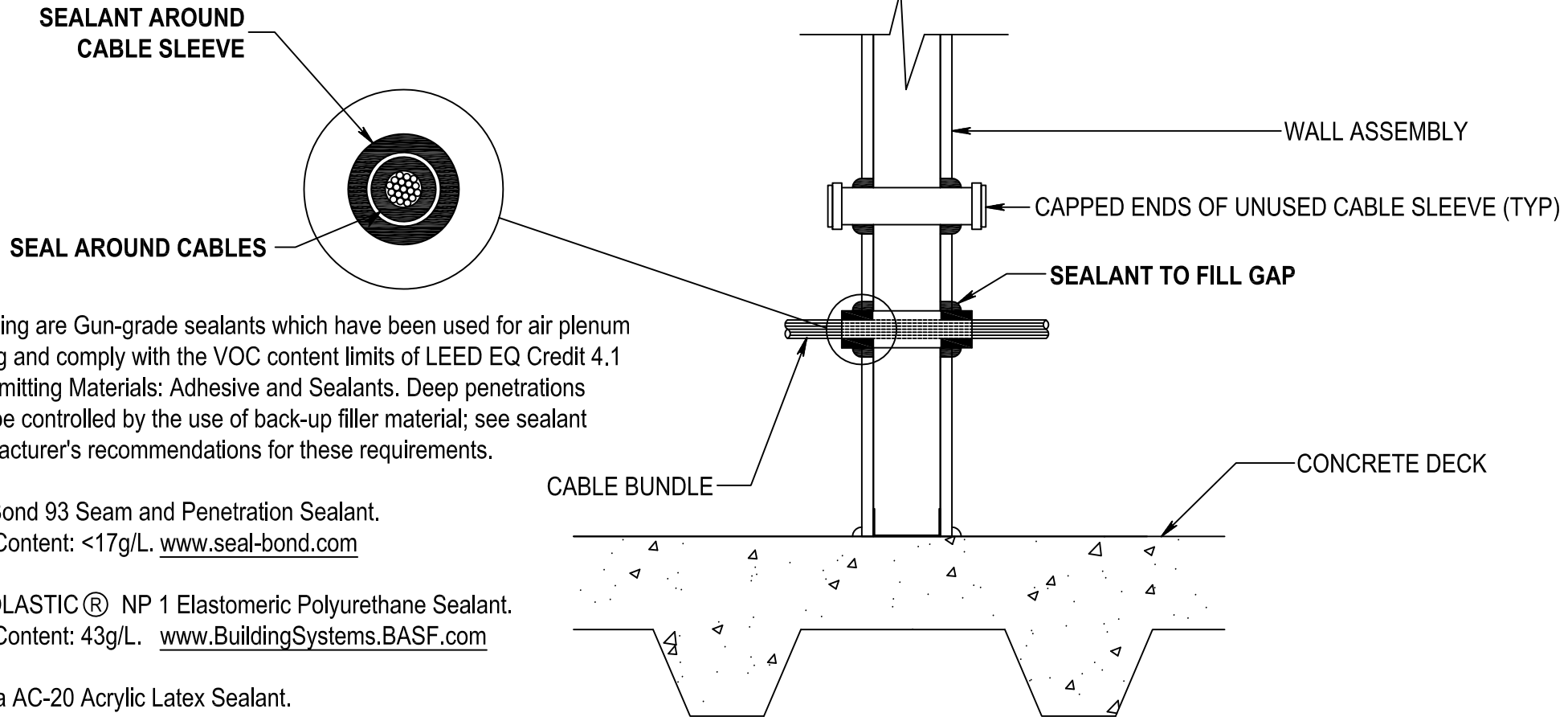


# Cable Penetrations Through Plenum Wall With Cable Sleeves

Tate Access Floors, Inc.  
7510 Montevideo Road  
Jessup, MD 20794  
Tel (410) 799-4200  
Fax (410) 799-4207



Following are Gun-grade sealants which have been used for air plenum sealing and comply with the VOC content limits of LEED EQ Credit 4.1 Low Emitting Materials: Adhesive and Sealants. Deep penetrations must be controlled by the use of back-up filler material; see sealant manufacturer's recommendations for these requirements.

Seal Bond 93 Seam and Penetration Sealant.  
VOC Content: <17g/L. [www.seal-bond.com](http://www.seal-bond.com)

SONOLASTIC® NP 1 Elastomeric Polyurethane Sealant.  
VOC Content: 43g/L. [www.BuildingSystems.BASF.com](http://www.BuildingSystems.BASF.com)

Pecora AC-20 Acrylic Latex Sealant.  
VOC Content: 31 g/L. [www.pecora.com](http://www.pecora.com)

RCD Corp. #20 Clear Acrylic Adhesive Sealant.  
VOC Content: <10 g/L. [www.rcdmastics.com](http://www.rcdmastics.com)