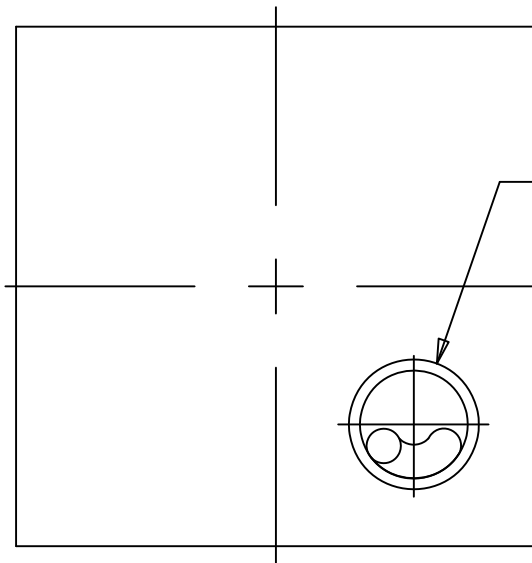
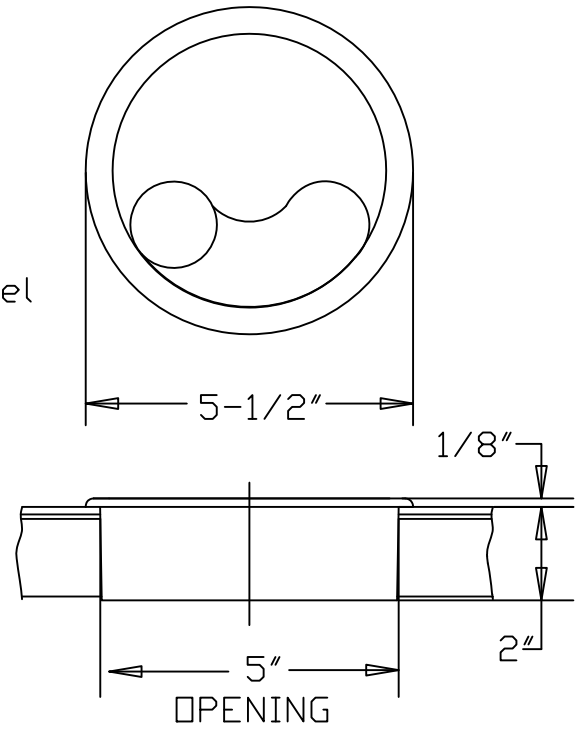


PANEL CUTOUT



Material : Heavy Duty Die Cast Aluminum
Finish : Brushed Nickel
Cable Opening : Opening Will Allow up to (4) 1"
Cables